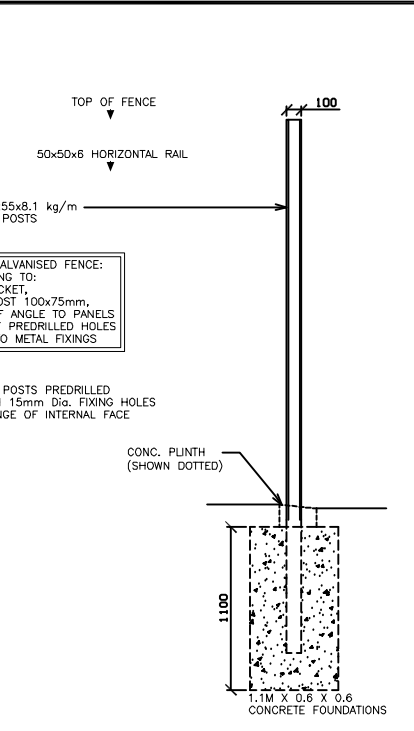
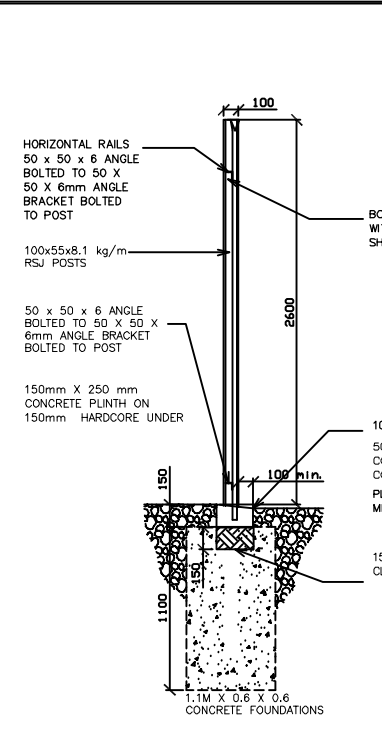


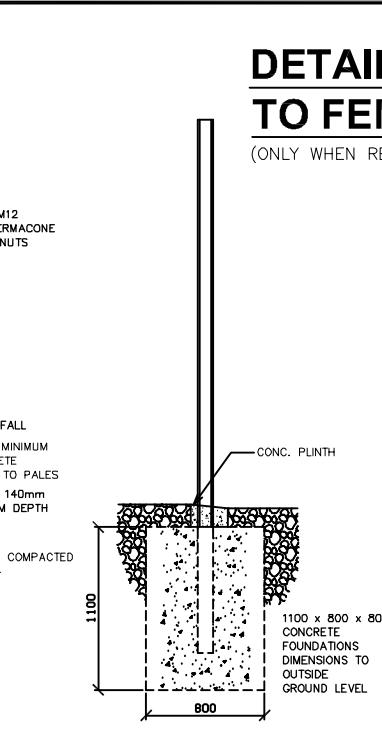
ELEVATION OF FENCE
SCALE 1:50



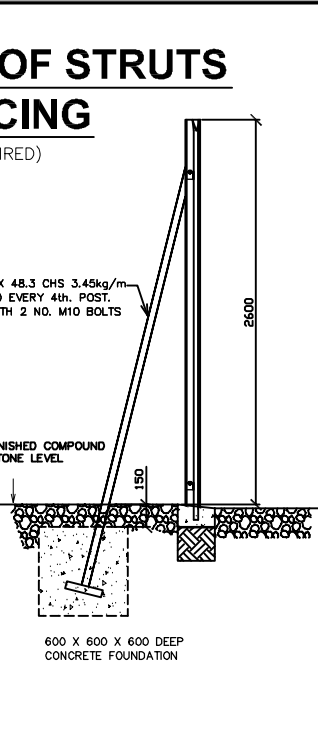
SIDE ELEVATION OF POST
SCALE 1:50



PAILES & PLINTH DETAILS
SCALE 1:50

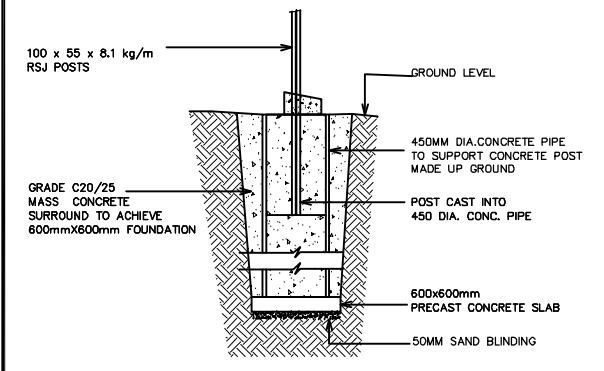


DETAILS OF FOUNDATION TO CORNER POST
SCALE 1:50

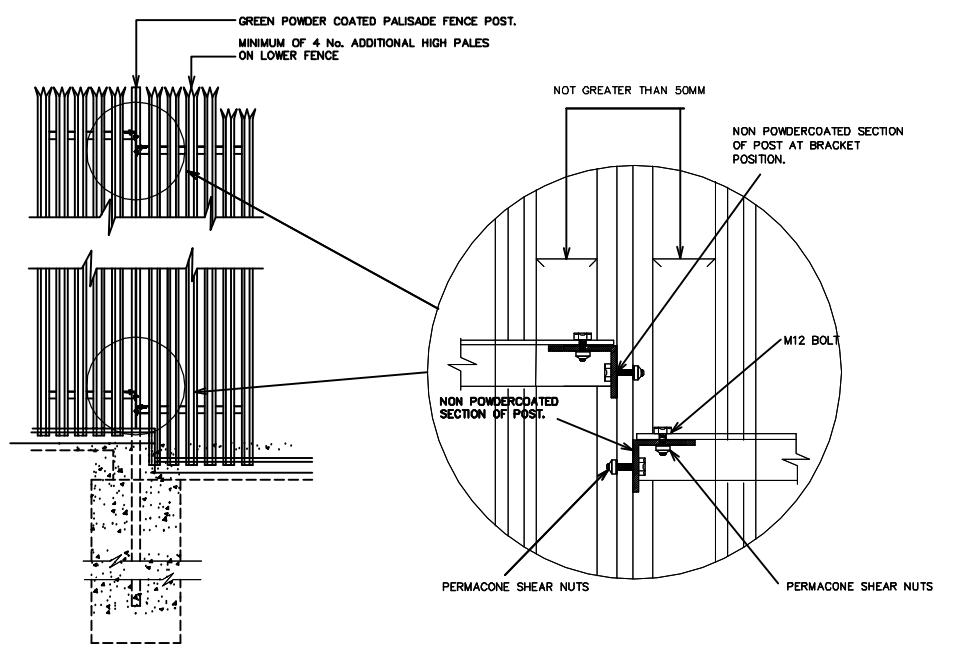


DETAIL OF STRUTS TO FENCING
(ONLY WHEN REQUIRED)

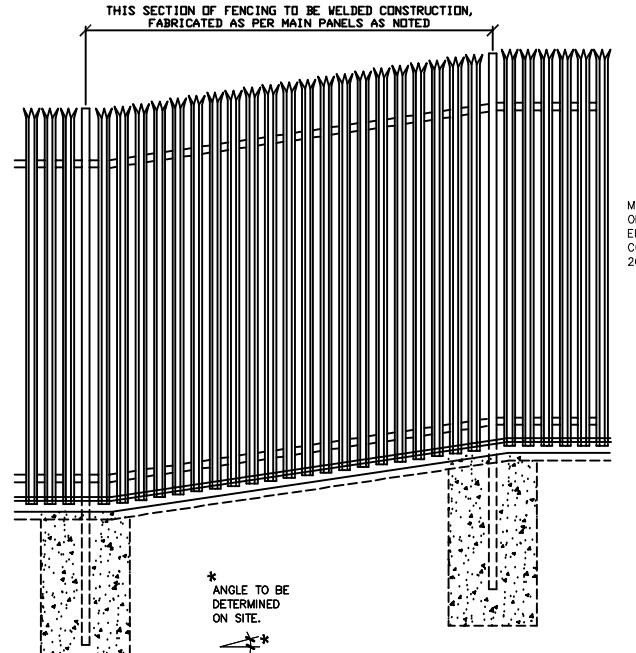
- NOTES
- THIS DRAWING TO BE READ IN CONJUNCTION WITH ALL RELEVANT ESBI DRAWINGS, BILLS OF QUANTITIES AND SPECIFICATION CS 17-S01-5
 - THIS DRAWING IS NOT TO BE SCALED.
 - THE FENCE IS TO BE CONSTRUCTED IN ACCORDANCE WITH B.S. 1722 PART 12
 - GALVANISING TO BE IN ACCORDANCE WITH IS EN ISO 1461.
 - POWDER COATING TO BE IN ACCORDANCE WITH IS EN 134-38.
 - PAILES TO BE TRIPLE POINTED & SPLAYED, AND WELDED TO RAILS IN ACCORDANCE WITH CL. 5.1 OF BS 1722
 - GAP BETWEEN PAILES AND BETWEEN PAILES AND RSJ TO BE NOT GREATER THAN 50MM.
 - MINIMUM HEIGHT OF FENCE ON EITHER SIDE OF COMPOUND IS TO BE 2600MM
 - IN AREAS OF MADE-UP GROUND ADDITIONAL CONCRETE TO BE USED IN BASE. QUANTITY TO BE APPROVED BY ESBI IN ADVANCE.
 - CONCRETE TO BE GRADE C20/25 TO BASES, C30/37



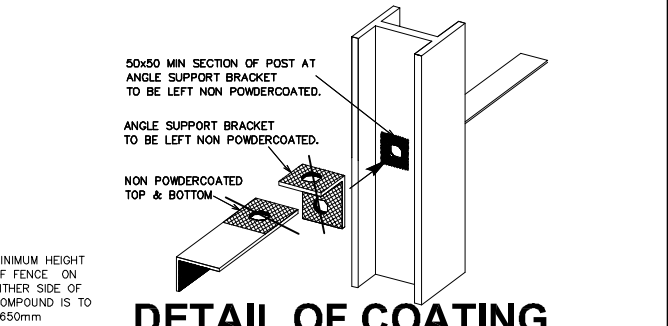
DETAIL WHERE THERE IS MADE-UP GROUND
SCALE 1:50



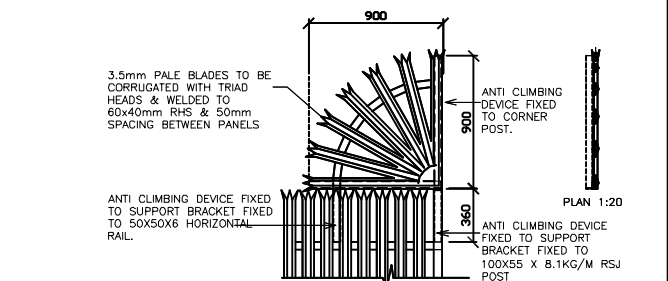
STEP(S) IN PALISADE FENCE (WHERE APPLICABLE)
SCALE 1:50
DEPTH OF STEP TO BE AGREED ON SITE, BUT NOT GREATER THAN 200mm
NOTE: - ADDITIONAL HIGH PAILES ON LOWER FENCE.



ELEVATION TO TYPICAL SLOPED SECTION OF FENCING
SCALE 1:50



DETAIL OF COATING AT FIXING POINTS
SCALE 1:50



DETAILS OF ANTI-CLIMBING AID (WHERE APPLICABLE)

Rev	Date	Revision description	Drn.	Prod	Ver.	Chk.	App.
0	22.11.12	ISSUED FOR PLANNING	LK	LK	SCD	BW	DW

Purpose of issue - Preliminary unless indicated

Tender Client approval Construction As-built Revised

ESB International
ESBI Energy Innovation

ESBI Engineering Solutions, Stephen Court, 18-21 St. Stephen's Green, Dublin 2, Ireland. Tel: +353 (0)1 703 8000 Fax: +353 (0)1 703 7186
Email: marketing@esbi.ie Web: www.esbi.ie

ESBI Engineering Solutions is a trading name of ESBI Engineering & Facility Management Limited. Registered Office: as above Registered in Ireland No. 155249

Client **EIRGRID**

Project **LAOIS KILKENNY REINFORCEMENT PROJECT**

Contract

Drawing title **COOLNABACKY 400 kV SUBSTATION PALISADE FENCE DETAILS**

Production unit **CIVIL BUILDING AND ENVIRONMENTAL**

COPYRIGHT © ESBI ENGINEERING & FACILITY MANAGEMENT LIMITED. All rights reserved. No part of this work may be modified or reproduced or copied in any form or by any means - graphic, electronic or mechanical, including photocopying, recording, taping or information-and-retrieval system, or used for any purpose other than its designated purpose, without the written permission of ESBI Engineering & Facility Management Ltd.

DRAWN	PRODUCED	VERIFIED CIVIL	VER. ELECTRICAL	APPROVED	APPD DATE
L.KIERNAN	L.KIERNAN	S.ODONOVAN	B.WALL	D.WALSH	22.11.2012

Client ref. No. of sheets **1** Size **A3** Scale **As Shown**

Drawing number **PE610-D002-003-023-000** Sheet **1** Rev